

# OTF

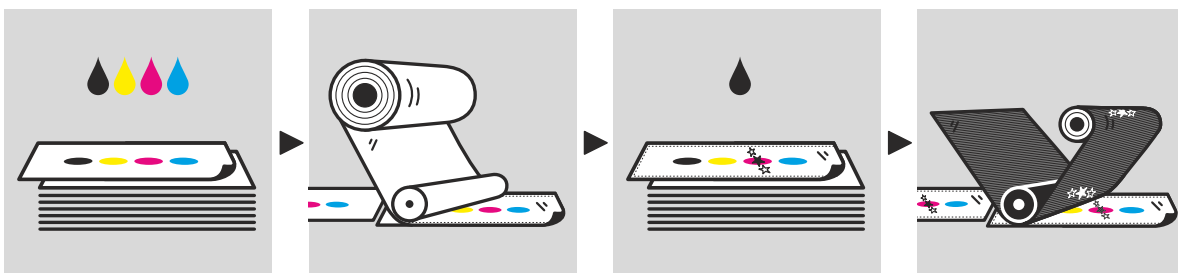
EQUIPMENT FOR APPLICATION  
OF SPECIAL EFFECT FOILS

KOMFI®



OTF equipment is a solution for application of film which creates special effects (glossy, colourful or metallic areas) on the digitally printed sheet. The standard laminator is provided also with a winding up unit, a separation bar and a support sheet metal. The substrate film with surface sensitive with respect to toner of digital printing presses passes through the machine in the same way as at standard lamination. The surface layer of the film adheres to the sheet areas digitally printed while unprinted (or printed with other printing techniques) areas remain without effect in case of contact of the film with the processed substrate\*. The transfer film is wound up on a shaft at process completing.

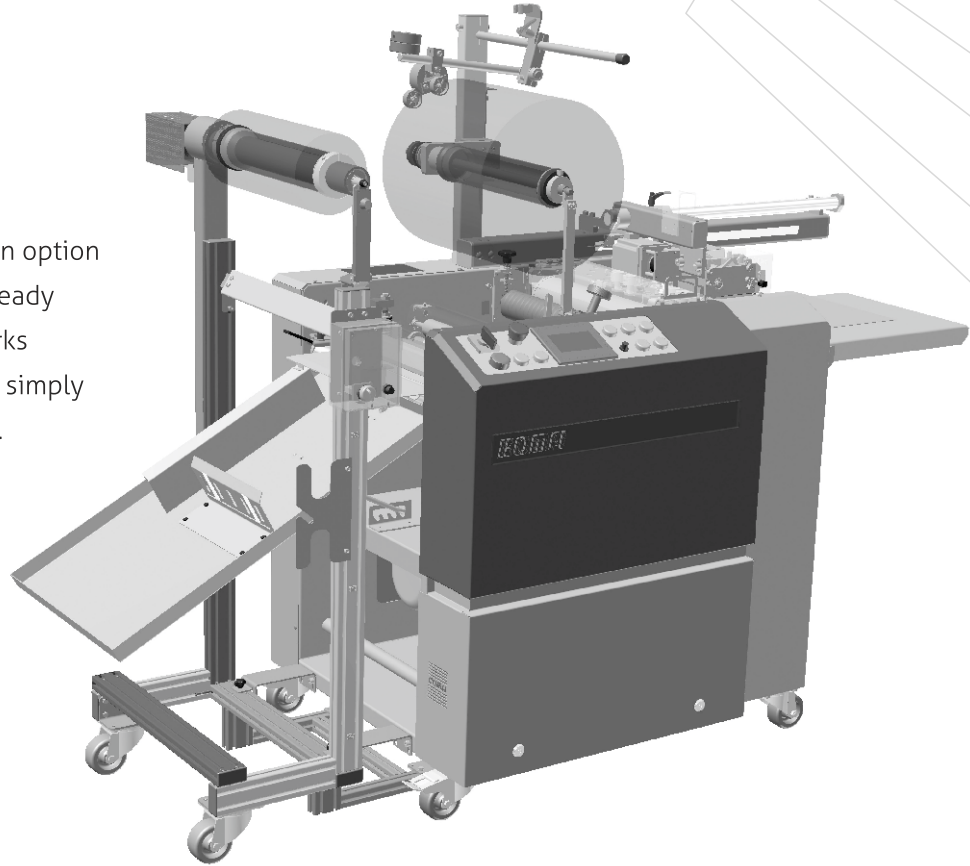
\* The compatibility of special effect foil with digital printing press must be proven first.



OVER TONER FOILING

# OTF

Stand alone OTF module is an option for additional upgrade of already installed machine which works on the same principle and is simply placed behind the laminator.



## EXAMPLES OF USE:

